

Fig. CI16DD

**Cast Iron Double Door Check Valve
Water Type
PN16**

Material Specifications

Description	Material
Shaft	SS304
Body	CI
Disc	DI+NP
Spring	SS304
Seat	EPDM

Notes:

- Pressure Rating: PN16
- Working Medium: Water, Oil, Steam
- Stainless Steel Spring
- EPDM Seat
- Face to Face: BSEN558-1 Series 16
- Suitable for mounting between EN1092 flanges
- Suitable for mounting in horizontal and vertical pipeline
- Alternative disc material is available upon request
- Other PN pressure ratings available upon request
- ANSI standards available upon request

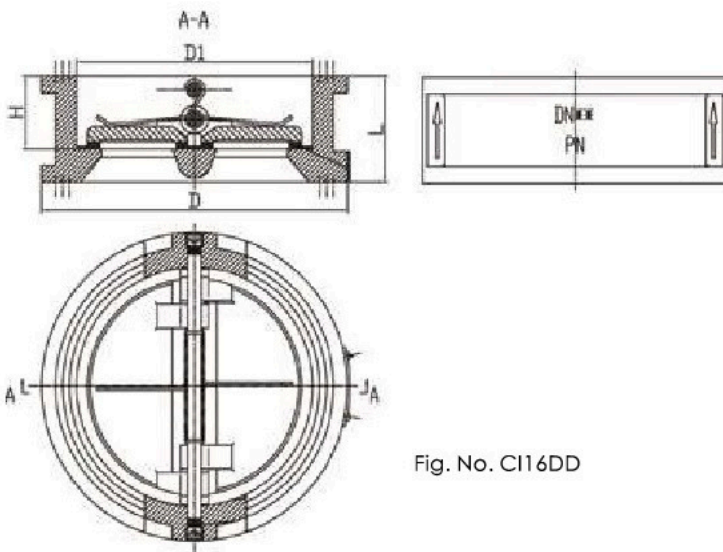


Fig. No. CI16DD

Dimensions

DN	H	L	D1	D
65	34	46	80	127
80	44	64	94	142
100	48	64	117	162
125	50	70	145	192
150	52	76	170	218
200	58	89	224	273
250	78	114	265	328
300	74	114	310	380
350	79	127	360	439
400	88	140	410	490
450	98	152	450	554
500	100	152	505	616
600	124	178	624	724

All dimensions are nominal (indicative)
Actual dimensions may vary